

1

2

3

A

A

B

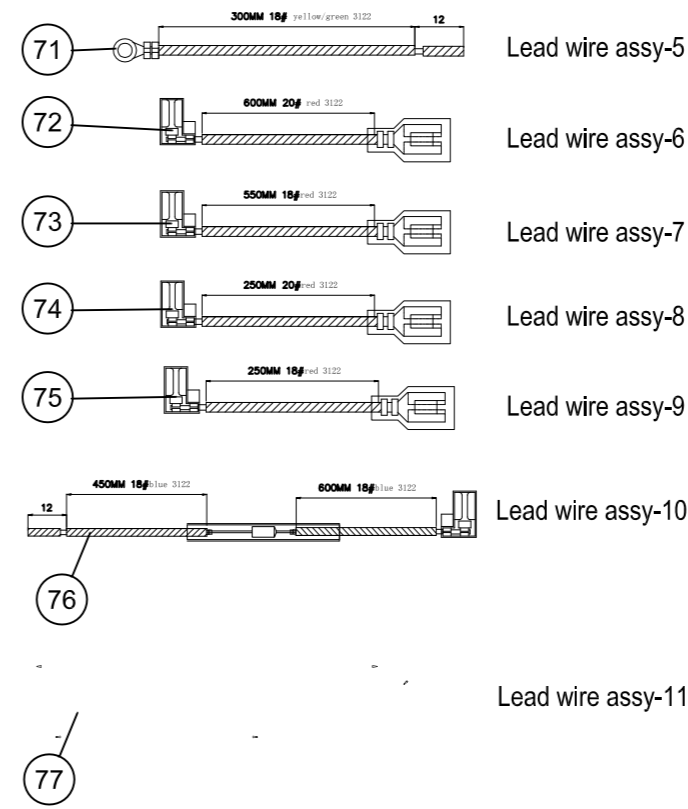
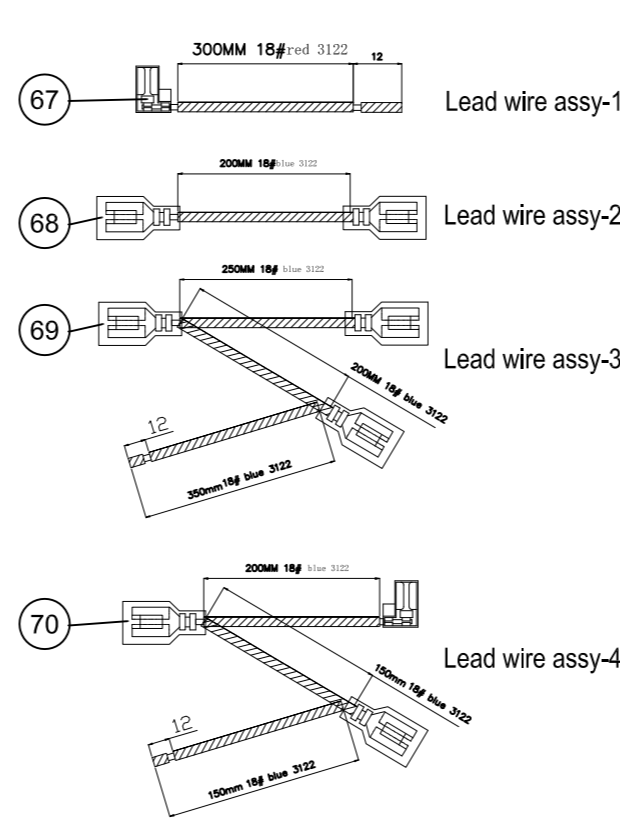
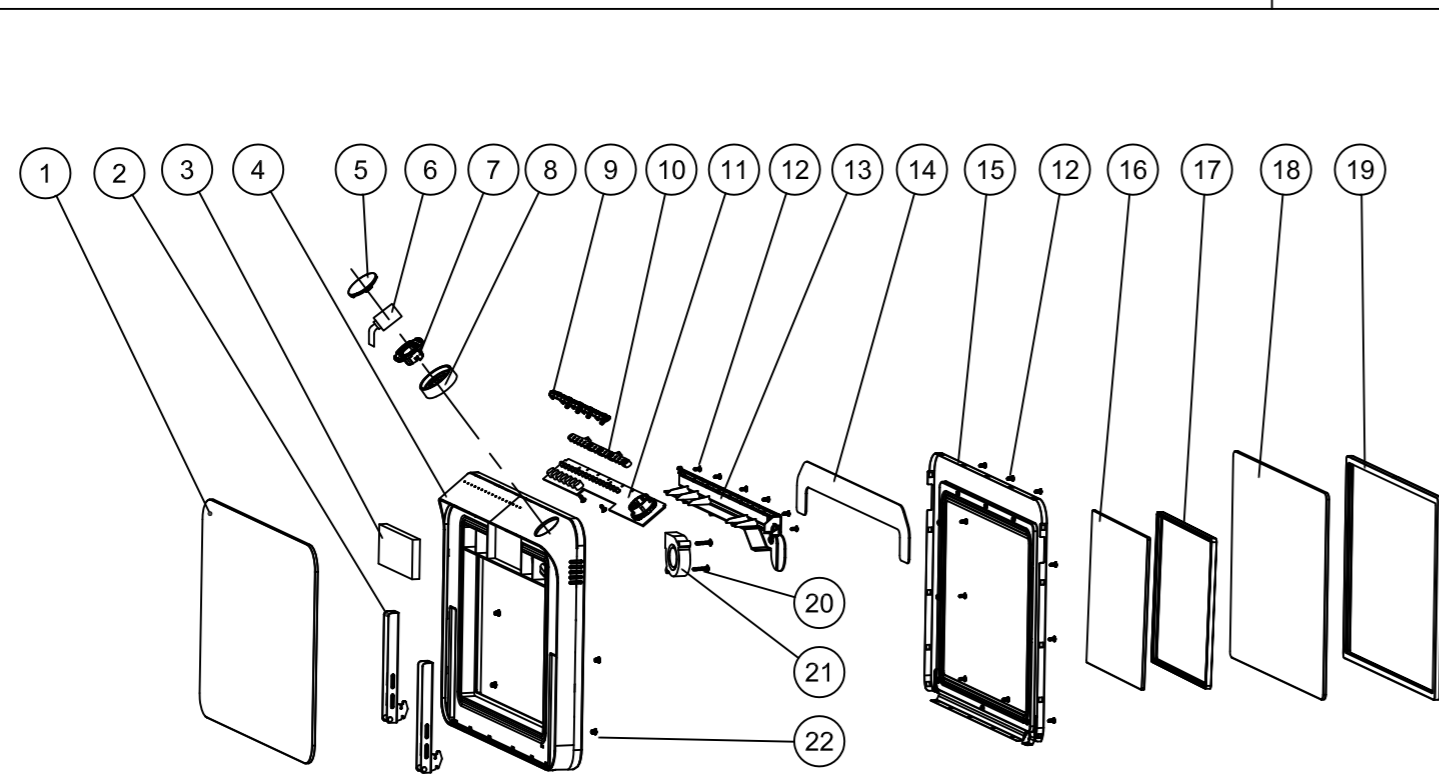
B

C

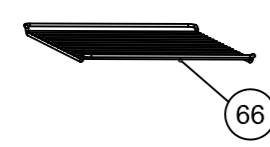
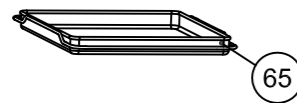
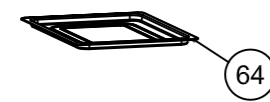
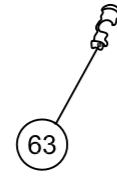
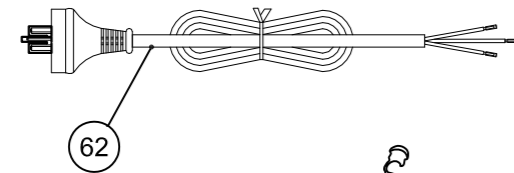
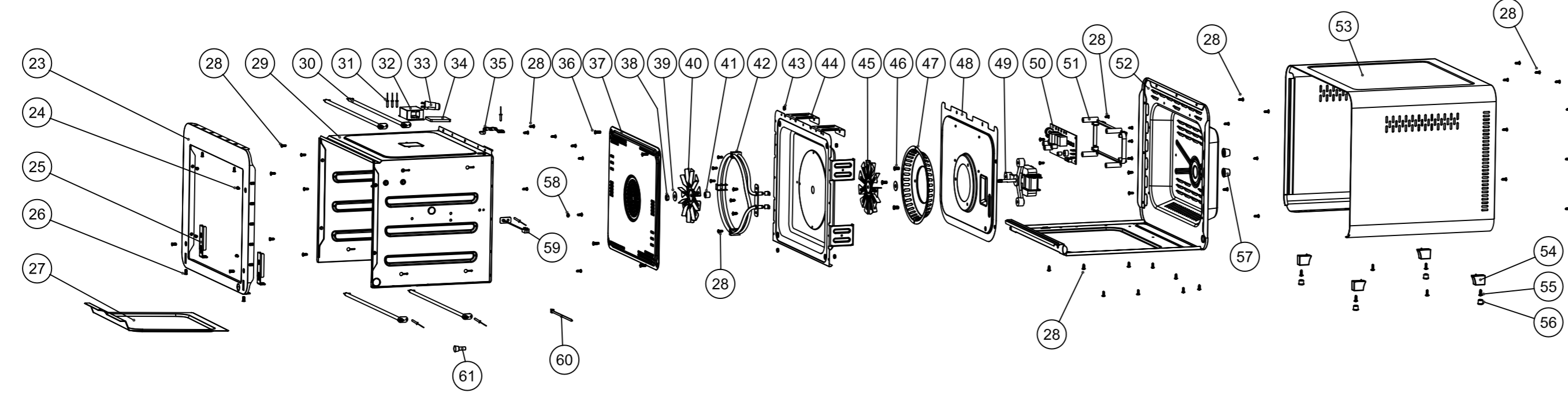
C

D

D



44	电机罩	motor cover	1
43	螺母	nut	4
42	圆形发热管	round heater	1
41	电机轴套	motor bushing	1
40	扇叶	fan blade	1
39	垫片	plain washer	2
38	螺母	nut	1
37	出风板	air outlet panel	1
36	十字圆头机牙螺丝	cross round head Machine screw	4
35	固定夹	retaining clip	1
34	炉灯	furnace light	1
33	玻璃	glass	1
32	灯罩支架	lamp holder	1
31	拉钉	rivet	13
30	直发热管	straight heat pipe	4
29	内腔	lumen	1
28	十字圆头自攻螺丝	cross round head Machine screw	46
27	接渣盘	scum catcher	1
26	十字沉头机丝	cross countersink Machine screw	4
25	固定片	retainer	2
24	十字沉头自攻螺丝	cross countersink self-trapping screw	6
23	门框	door frame	1
22	十字圆头机丝	cross round head Machine screw	8
21	鼓风机	air blower	1
20	十字槽盘头自攻螺丝	cross pan head self-trapping screw	2
19	门内硅胶圈	glass seals	1
18	门内玻璃	in-door glass	1
17	隔热硅胶圈	insulation silicone ring	1
16	隔热玻璃	insulation glass	1
15	门内架	in-door shelves	1
14	云母片	mica plate	1
13	控制板后盖	control board shell	1
12	十字圆头自攻螺钉	cross round head self-trapping screw	18
11	控制板	control PCB ass'y	1
10	遮光片	shade sheet	1
9	导光片	light guide sheet	1
8	旋钮盖	knob lid	1
7	旋钮按键	knob key	1
6	显示屏	display screen	1
5	显示片	display piece	1
4	前壳	front shell	1
3	隔热绵	insulation cotton	1
2	铰链	Hinges	2
1	门外玻璃	Exterior glass	1



				61	奶嘴	wire connector	3
				60	扎带	cable tie	5
				59	NTC组件	NTC ass'y	1
				58	弹性垫圈	spring washer	1
77	引线组件-11	lead wire assembly-11	1	57	防撞柱	bumper bollards	2
76	引线组件-10	lead wire assembly-10	1	56	脚垫	rubber pad	4
75	引线组件-9	lead wire assembly-9	1	55	十字盘头自攻螺丝	cross round head self-trapping screw	6
74	引线组件-8	lead wire assembly-8	1	54	胶脚	Plastic feet	4
73	引线组件-7	lead wire assembly-7	1	53	外壳	Exterior board	1
72	引线组件-6	lead wire assembly-6	1	52	底板	bottom board	1
71	引线组件-5	lead wire assembly-5	1	51	线路板支架	Main PCB bracket	1
70	引线组件-4	lead wire assembly-4	1	50	主PCB组件	Main PCB assembly	1
69	引线组件-3	lead wire assembly-3	1	49	罩极电机	shade pole motor	1
68	引线组件-2	lead wire assembly-2	1	48	隔热板	heat insulation board	1
67	引线组件-1	lead wire assembly-1	1	47	风叶罩	fan blade cover	1
66	烤架	grill	1	46	十字槽圆头机牙螺丝	cross round head Machine screw	3
65	烤网	grill pan	1	45	扇叶	fan blade	1
64	烤盘	barking tray	1	No.	名称	Part Name	Qty
63	线扣	strain relief bushing	1		设计	杨劲松 2024. 5. 31	
62	电源线	Power cord	1		审核		
No.	名称	Part Name	Qty		批准		

No.	名称	Part Name	Qty		
Version	A/0	Scale	1:1	Description	K25A Exploded drawing
Projection		Unit	MM	Drawing #	
广东英为拓科技有限公司 GUANGDONG INVITOP TECHNOLOGY CO.,LTD.					

1

2

3